

SPARE PARTS

1.1 Main parts

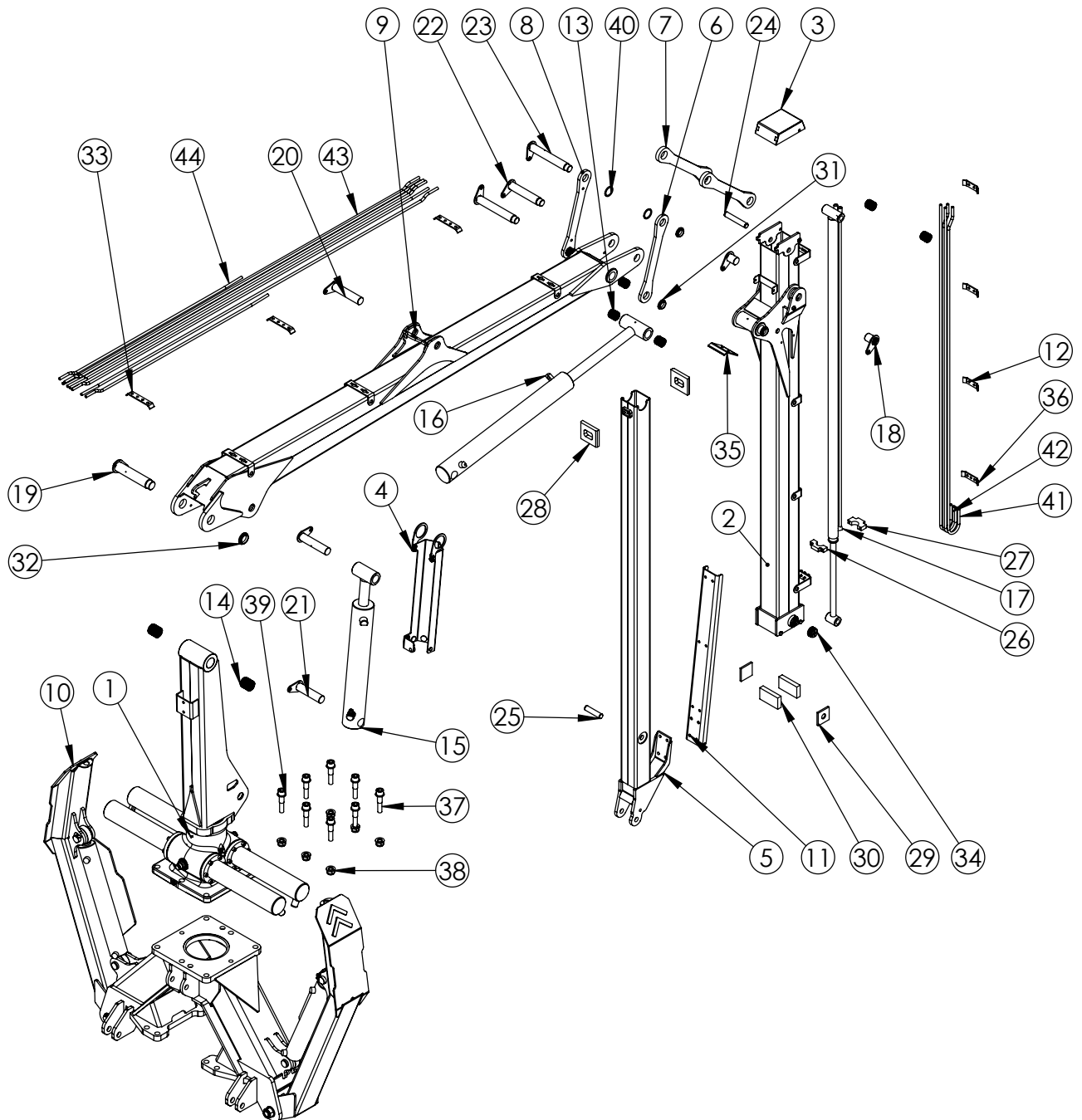


Figure 13. Spare part positions of Palms 4.70 forest crane

Pos	Code	Part name	Qty
1	4-70.06.00.00	Slewing mech and pillar	1
2	4-70.03.00.00	Extension boom	1
3	4.70.07.00.00	Extension boom hoses cover	1
4	4-70.05.00.00	Cylinder protection	1
5	4-70.04.00.00	Telescopic boom	1

6	4-70.00.00.02P	Puller 1	1
7	4-70.00.00.01	Puller 2	2
8	4-70.00.00.02	Puller 3	1
9	4-70.01.00.00B	Main boom	1
10	FDJ.01.00.00B	FD-leg	1
11	700.11.00.01C	Hoses frame	1
12	700.00.00.16	Extension boom hose clamp	3
13	L11FB0924040	Bronze slide bearing 40-44x40 WB800	6
14	L11FB0925050	Bronze slide bearing 50-55x50 WB800	2
15	HC100-50-490	Lifting cylinder	1
16	HC90-50-680	Extension boom cylinder	1
17	HC40-28-1850	Telescopic boom cylinder	1
18	TL-40-48-00	Shaft	2
19	TLK-50-218-00	Shaft	1
20	TL-40-183-00	Shaft	2
21	TL-40-163-00	Shaft	1
22	TLK-40-198-00	Shaft	1
23	TLK-40-247-00	Shaft	2
24	LR-25-140	Shaft	1
25	LR-25-101	Shaft	1
26	695.00.00.03	Support plate for telescopic cylinder	1
27	695.00.00.04	Support plate for telescopic cylinder	1
28	695.00.00.PL1	Extension boom sliding plate	2
29	695.00.00.PL2B	Sliding plate	2
30	700.00.00.12	Extension boom slider	2
31	CRN_CRPn	Crn-Crp nut	3
32	CRN_CRPn	Crn-Crp nut	1
33	680.00.00.15	Pipe clamp on lifting boom	3
34	840.00.00.LP6	Sliding plate bushing with thread	2
35	670.03.00.02	Extension boom's holder for hoses	1
36	700.00.00.22	Extension boom rigid pipe clamp	8
37	M24x110b	M24x110 bolt DIN912	6
38	M24n	M24 nut DIN 985	14
39	M24w	M24 washer DIN 125	2
40	45x55x3w	45x55x3 distance ring (spacer)	2
41	4-70.JT1	Rigid pipes on extension boom 1	2
42	4-70.JT2	Rigid pipes on extension boom 2	6

43	670.PT1	Rigid pipes on main boom 1	2
44	670.PT3B	Rigid pipes on main boom 2	1

Table 7. *Spare part list of Palms 4.70 forest crane*

11.2 Slewing mechanism parts

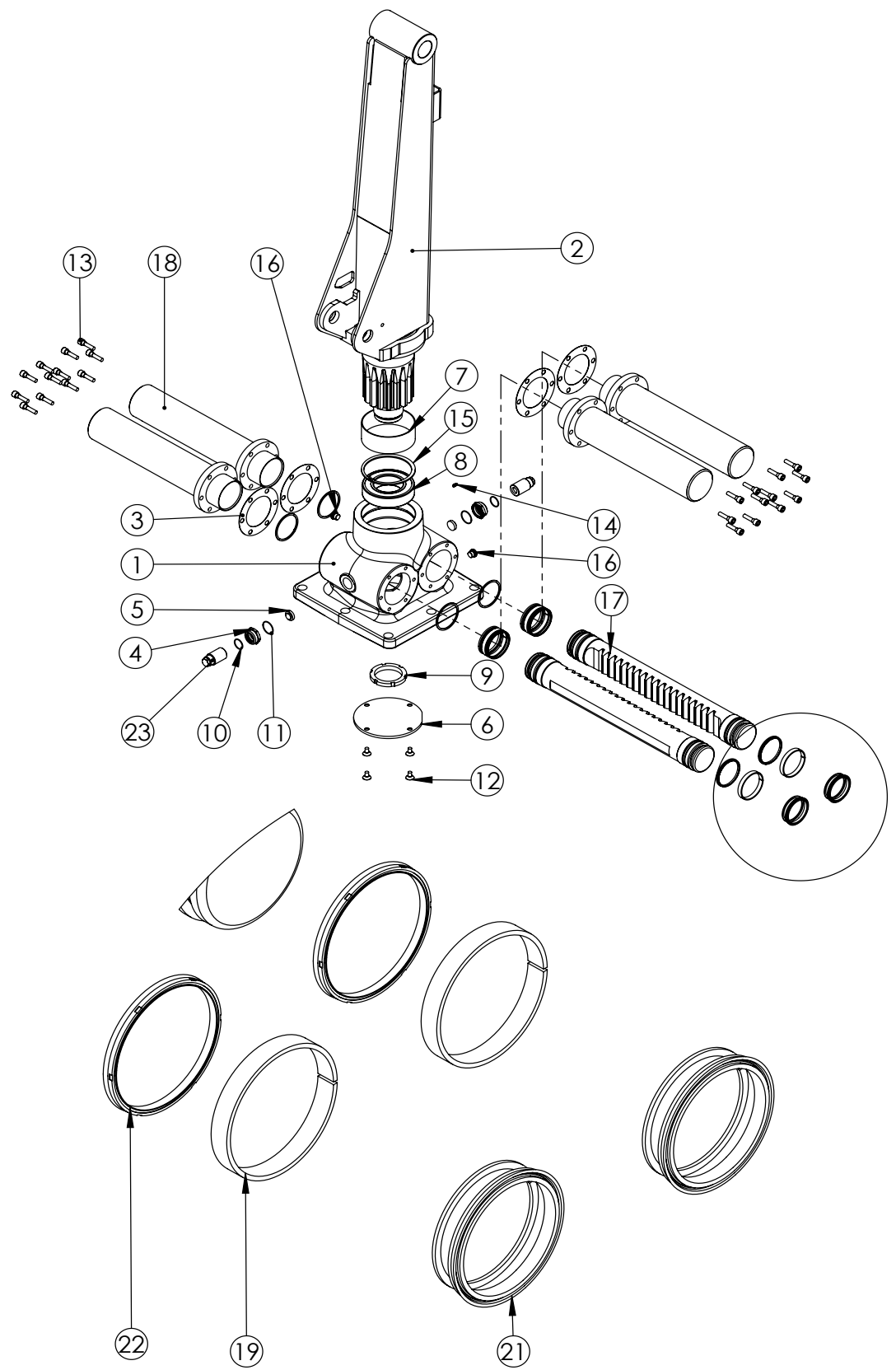


Figure 14. Palms 4.70 slewing mechanism with pillar

Pos	Code	Part name	Qty
1	680.00.01T	Slewing housing	1
2	4-70.02.01.00B	Pillar	1
3	TIH-6-100	Seal for hollow	4
4	700.00.00.06	Stopper nut	2
5	700.00.00.08	Support bolt bronze guide	2
6	700.00.00.09C	Slewing housing bottom cover plate	1
7	L11FBB09215060	Bronze slide bearing 150-155x60 WL-WB800	1
8	L1123022CW33	Spherical roller bearing 23022	1
9	M100x2	Nut M100x2	1
10	o-ring30-2-72	ISC O-ring 30-2 72 NBR 872 445653	2
11	o-ring38-2-72	ISC O-ring 38-2 72 NBR 872 445653	2
12	M12x20b	Slewing housing cover plate Inner hex head bolt M12x20 DIN 912	4
13	M12x45b	Inner hex head bolt M12x45 DIN 912	24
14	M6g.n	M6 greasing nipple	1
15	150x4s.r	Stopper ring \varnothing 150x4.0 DIN 472	1
16	M18x1,5c	M18x1,5 bolt with washer	2
17	470.00.00.03-T18B	Gear rack	2
18	470.00.00.02	Hollow 85 x 430 + 51	4
19	90x12,8x3	Sliding ring 90x12,8x3	4
20	T18s.r	T18s.r support ring	4
21	T18-90-75-9,5	T18-90-75-9,5 seal	4
22	PPW 90x81,4x5,3	PPW 90x81,4x5,3	4
23	700.00.00.07	Support bolt	2

Table 8. Palms 4.70 slewing mechanism spare parts list